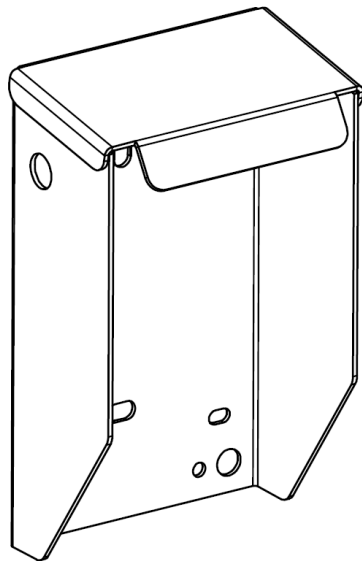


INSTALLATION INSTRUCTION

HMT310 and MMT310 Rain Shield



- Rain shield for HMT310 and MMT310 transmitter outdoor installations
- Suitable for wall or U-bolt mounting

MOUNTING THE RAIN SHIELD AND TRANSMITTER

Attach the transmitter to the rain shield using the \varnothing 4.5 mm screw holes (screws not provided) in the rain shield and the flanges of the transmitter's larger mounting plate.

See Figure 1 below for the location of the screw holes in the mounting plate and the rain shield.

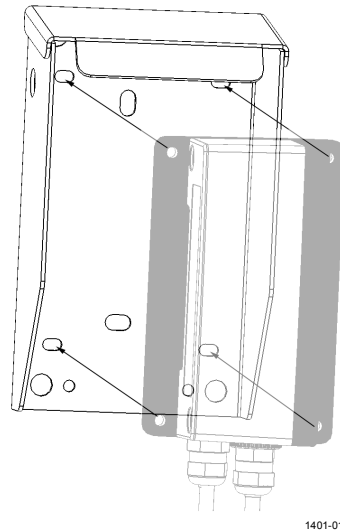


Figure 1 Attaching the Mounting Plate to the Rain Shield

You can mount the rain shield and transmitter directly to a wall with screws through both the mounting plate and the rain shield, or attach the transmitter to the rain shield and use for example U-bolt mounting depending on the requirements of the installation site.

NOTE Vaisala does not recommend installing the transmitter outdoors with the smaller mounting plate (with no flanges).

NOTE This manual does not create any legally binding obligations for Vaisala towards the customer or end user. All legally binding commitments and agreements are included exclusively in the applicable supply contract or Conditions of Sale.

See Figure 2 below for the diameters of the rain shield's screw and U-bolt holes.

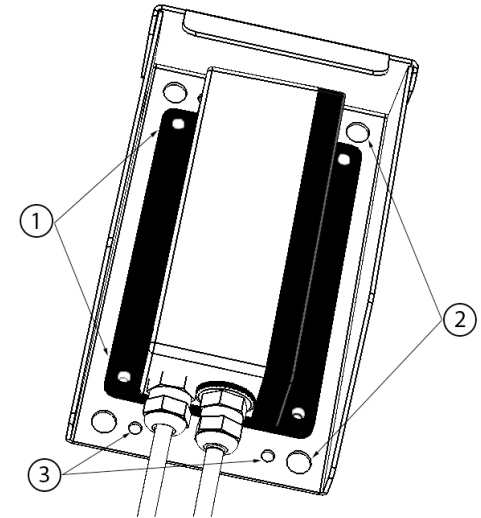


Figure 2 Rain Shield Mounting Options

- 1 = Transmitter's larger mounting plate: attaches to the rain shield from the flanges with four \varnothing 4.5 mm screws (not provided).
- 2 = Rain shield: Four \varnothing 8.5 mm holes for (U-bolt) mounting. The maximum diameter of the pole in U-bolt mounting is 60 mm.
- 3 = Rain shield: Four \varnothing 4.5 mm screw holes for mounting.

TECHNICAL DATA

Property	Description / Value
Material	Stainless steel (AISI 316L, s=1,5 mm)
Finish	Polyester powder coating 80 μ m
Pretreatment	Pickling
Color	White RAL9003
Weight	0,4 kg
Dimensions	See overleaf



RAIN SHIELD DIMENSIONS

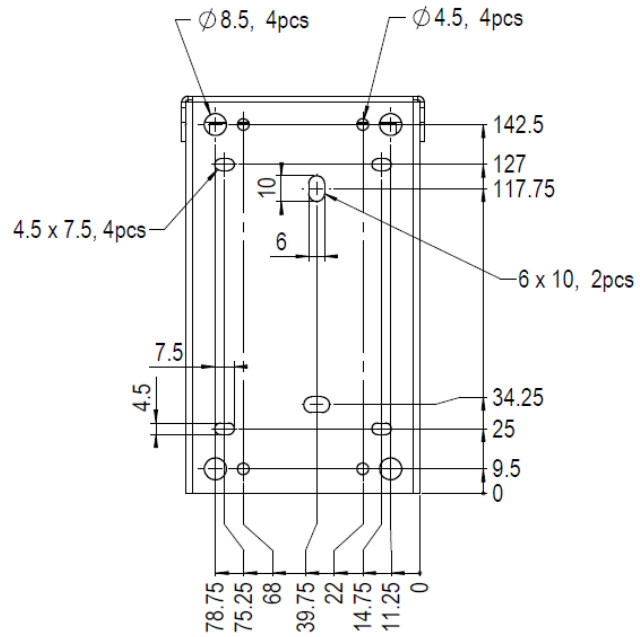


Figure 3 Rain Shield Dimensions (Back)

1401-011

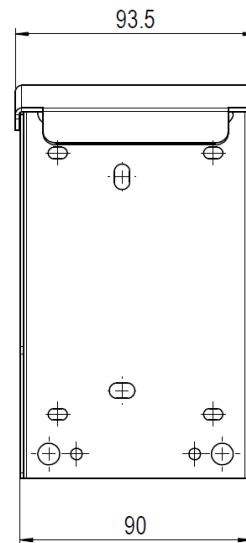
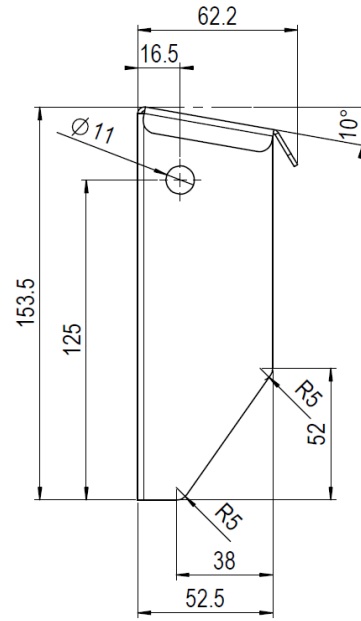


Figure 4 Rain Shield Dimensions (Side and Outer)

1401-012

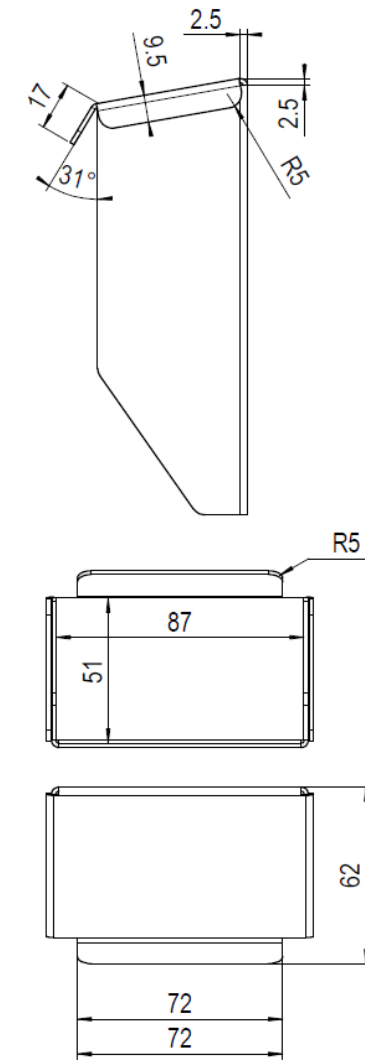


Figure 5 Rain Shield Dimensions (Side and Upper)

1401-013